



AMC-MECANOCAUCHO® Akustik Pipe consist in a double-hole Sylomer part enclosed in a steel housing.

The assembly of this mounting is very simple due to the easily removable Sylomer part and its single fastening hole. The uncovered distance by the housing determines the preload of the Akustik Pipe, allowing the bolt to be tightened until the housing is firmly in contact with the base.

AMC-MECANOCAUCHO® Akustik Pipes are specially suitable for applications where rigid or flexible pipes must be isolated, both for static and dynamic applications.

CARACTERÍSTICAS TÉCNICAS

Advantages

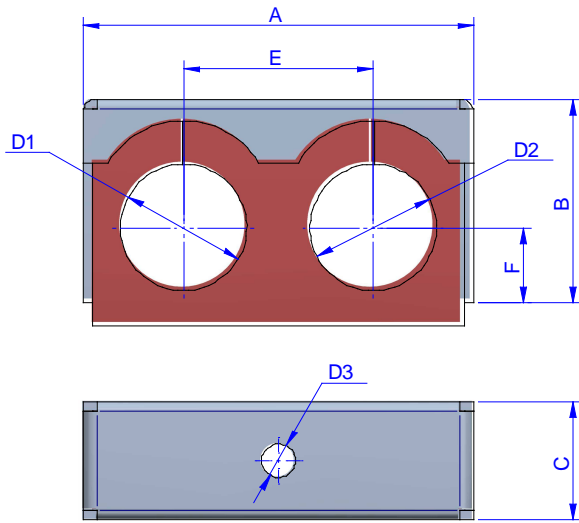
- Compact design
- Fail-safe feature
- Multidirectional mount
- Excellent noise isolation
- Corrosion resistant
- Maintenance-free
- No aging

APLICACIONES

- Construction machinery
- Mining equipment
- Buses
- HVAC equipment
- Hydraulic equipment



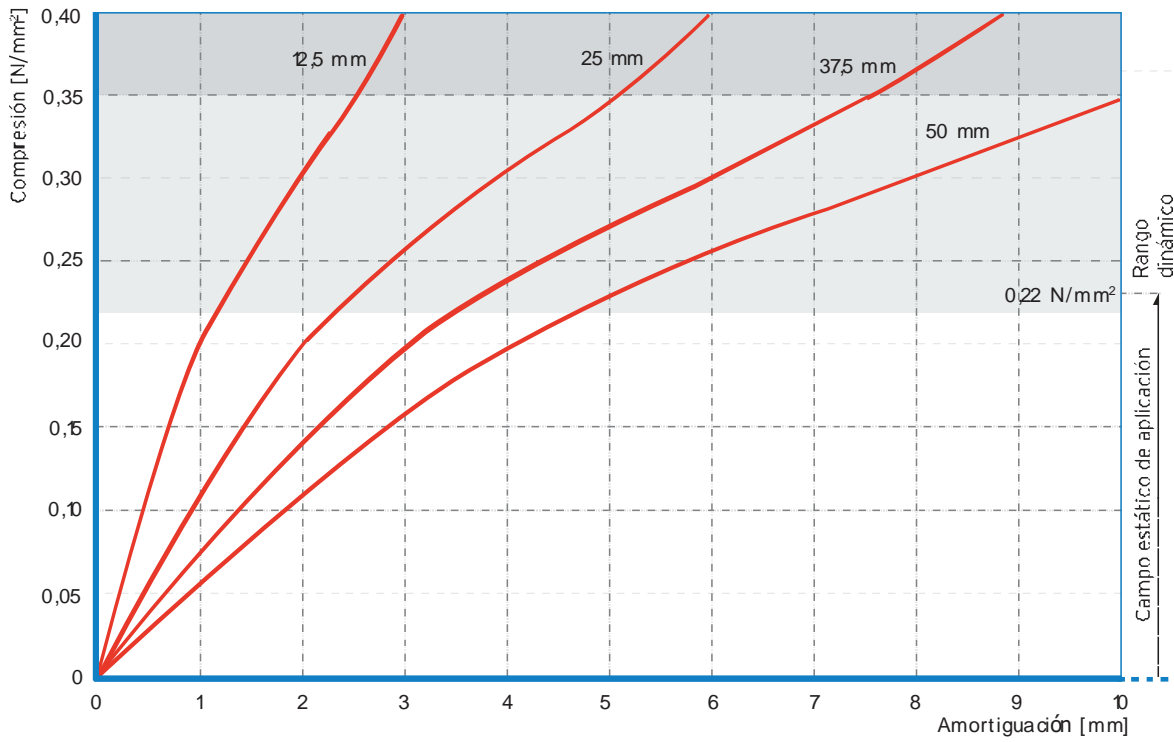
PLANOS



DIMENSIONES

Tipo	A (mm)	B (mm)	C (mm)	D1 (Mín.)	D2 (Máx.)	E (mm)	F (mm)	D3 (Máx.)	Código
Type A	70	38	29	15	18	36	15	8,5	23872
	70	38	29	18	18	36	15	8,5	23873
	82	42	29	21,2	24,3	43	15	8,5	23874
	70	38	29	22	22	36	13	8,5	23871
	98	53	29	28	28	48	21	8,5	23876
	98	53	29	32	32	48	21	8,5	23875
Type B	59	32	29	18	-	38	12	9	23877

Propiedades elásticas
LOAD-DEFLECTION



NATURAL FREQUENCY

